



www.bdiworldwide.com

N-AMG

Get a Cleaner Flow with **SMC Series AMG** “Water Separator Series”

Contact your local BDI Sales Representative today!



- Assembly line
- Packaging
- Automotive
- Electronics
- Robotics

- 1. 99% of all Moisture Can Be Removed**
Moisture can be removed at the air inlet or the end of the air line.
- 2. Lightweight and Compact**
The AMG series is lightweight, compact and easy to install.
- 3. Long Element Life**
The element is made of a special resin material which provides uninterrupted service.
- 4. Wide Range of Port Sizes**
Port sizes of 1/8 – 2 are available to meet air compressor sizes ranging from 1 – 100 horse power.
- 5. Built-in Auto Drain**
Built-in auto drain allows for long periods of continuous operation.

BDI is now on Youtube, Twitter and Facebook!
Visit www.bdi-usa.com and click the icons to view product demo's
and new technologies !



Water Separator Series

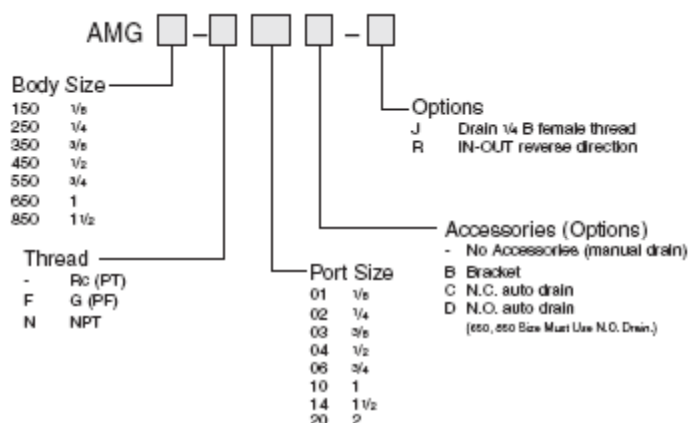
SMC's AMG series water separator is installed on the air pressure line to remove water drops in compressed air. This is suitable for use in cases where "water must be removed, but the air does not have to be as dry as when an air dryer is used" or "an air dryer cannot be used because an electric power supply is not available."

Specifications

AMG ★ — ★★★ — ★																																			
Max. Operating Pressure	1MPa / 145PSI																																		
Min. Operating Pressure	0.15MPa / 22 PSI																																		
Ambient & Fluid Temp.	5-60°C / 40 – 140°F																																		
	<table border="1"> <thead> <tr> <th rowspan="2"></th> <th rowspan="2">Port Size</th> <th colspan="2">Max. Flow</th> </tr> <tr> <th>L/Min</th> <th>SCFM</th> </tr> </thead> <tbody> <tr> <td>AMG150</td> <td>1/8, 1/4, 3/8</td> <td>300</td> <td>10.5</td> </tr> <tr> <td>AMG250</td> <td>1/8, 3/8, 1/2</td> <td>750</td> <td>26</td> </tr> <tr> <td>AMG350</td> <td>3/8, 1/2, 3/4</td> <td>1500</td> <td>53</td> </tr> <tr> <td>AMG450</td> <td>1/2, 3/4, 1</td> <td>2200</td> <td>77</td> </tr> <tr> <td>AMG550</td> <td>3/4, 1</td> <td>3500</td> <td>123</td> </tr> <tr> <td>AMG650</td> <td>1, 1 1/2</td> <td>6000</td> <td>210</td> </tr> <tr> <td>AMG850</td> <td>1 1/2, 2</td> <td>12000</td> <td>420</td> </tr> </tbody> </table>		Port Size	Max. Flow		L/Min	SCFM	AMG150	1/8, 1/4, 3/8	300	10.5	AMG250	1/8, 3/8, 1/2	750	26	AMG350	3/8, 1/2, 3/4	1500	53	AMG450	1/2, 3/4, 1	2200	77	AMG550	3/4, 1	3500	123	AMG650	1, 1 1/2	6000	210	AMG850	1 1/2, 2	12000	420
	Port Size			Max. Flow																															
		L/Min	SCFM																																
AMG150	1/8, 1/4, 3/8	300	10.5																																
AMG250	1/8, 3/8, 1/2	750	26																																
AMG350	3/8, 1/2, 3/4	1500	53																																
AMG450	1/2, 3/4, 1	2200	77																																
AMG550	3/4, 1	3500	123																																
AMG650	1, 1 1/2	6000	210																																
AMG850	1 1/2, 2	12000	420																																



How to Order



Features and Benefits

- Port sizes 1/4, 3/8, 1/2, 3/4, 1, 1 1/2, 2"
- Removes 99.9% of water droplets
- Automatic drain as standard
- Element is resistant to clogging
- SMC one-touch fitting standard on drain connection (auto drain)
- Manual override of auto drain standard
- Extremely low pressure drops



05065MPPIN